

**BARBER**®™  
MANUFACTURED BY KINGS ENERGY SERVICES

*PIGGING VALVES*

**PROVIDING SOLUTIONS**

# BARBER® TM

MANUFACTURED BY KINGS ENERGY SERVICES

## FEATURES & BENEFITS

- Simple, safe, convenient method for insertion and removal of flow line pigs
- Saves space and cost
  - Eliminates need for excessive equipment such as Barrel launchers & receivers
  - Performs double duty when used as a positive shutoff flow line valves
  - Smaller footprint reduces need for extensive area to accommodate equipment
  - Cost savings due to more rapid system construction
  - Simple design reduces technician training and system maintenance costs
- Limits environmental impact and loss of product by maintaining integrity of the line
- Enhanced safety features incorporated into the product design
- NACE compliant and approved for use in sweet or sour service

### TEMPERATURE RANGE

-50°F to +250°F

### END CONNECTIONS

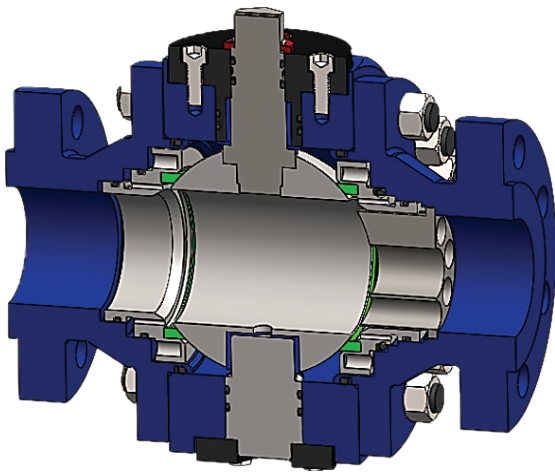
Raised Face  
Ring Joint

### PRESSURE RANGES

150 - 900 ANSI Class

### SIZE RANGE

2" - 6"



## MATERIAL SPECS & SERVICE

- Low temp NACE materials are standard, various other materials available, custom materials upon request
- Offer carbon steel trim with 2 MIL ENPC (Nickel Plating) as standard, 316/CF8M Stainless as an option
- NYOIL seats are standard, with Devlon seats as an option
- Trunnion mounted ball outfitted with bearing and thrust washers for low torque
- Viton, Buna, and HSN seals are standard, all other elastomers upon request
- Standard sized O-rings used, no custom seals

## SAFETY

- Self relieving upstream seat to eliminate chance of cavity overpress
- Non-relieving downstream seat in order to prevent issues if downstream media is relieved in that direction
- Spring loaded seats for low pressure seating
- Sealant injection ports (with internal secondary checks) for seats and stem for emergency sealing
- Bolted tailpiece design
- Hammerless entry cap, supplied operating wrench

## DIMENSIONS

- Face to face dimension meets ASME B16.10 and API 6D (please review dimensional chart)
- Increased cavity design to accept larger pipeline pigs. (review pig dimensional chart)

## CERTIFICATIONS

- ASME B16.34 design code
- CRN to ASME B16.34
- API 6D monogrammed
- Compliance to ASME B31.3, CSA Z245.15
- API Spec 6FA for fire safe certification to come

info@kingsenergy.com

1-866-660-KING

www.kingsenergy.com

Contact us for inquiries regarding specifications, availability and refurbished valves. Kings Energy Services is Proud to manufacture Barber Pig Valves.

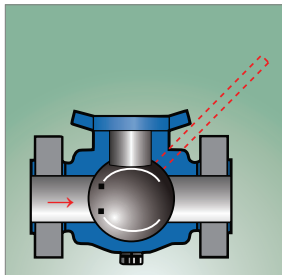
# PROVIDING SOLUTIONS

## BARBER PIGGING VALVE OPERATING CYCLE

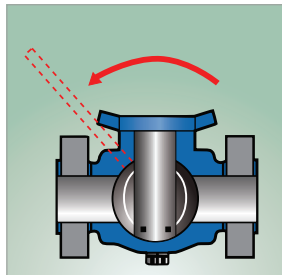
### SENDING "BULLET" PIGS



The Barber Pigging Valve can be used to send bullet or scraper type pigs by using a valve ball without the stop frog.



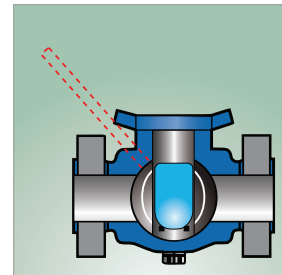
**Step 1**  
**Open Position.**  
Through conduit flow - no pockets to trap wax or debris.



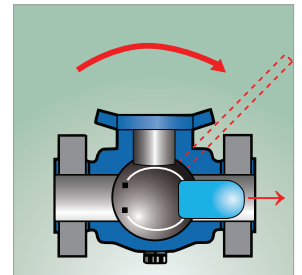
**Step 2**  
**Closed Position.**  
Upstream and downstream is sealed off. Vent body cavity pressure.



**Step 3**  
Remove side entry cap. Insert pig into place. Close vent valve.



**Step 4**  
Screw side entry cap into place. Close vent valve.

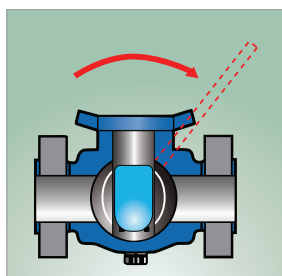


**Step 5**  
**Open valve.**  
Flowline pressure moves the pig downstream.

### RECEIVING "BULLET" PIGS



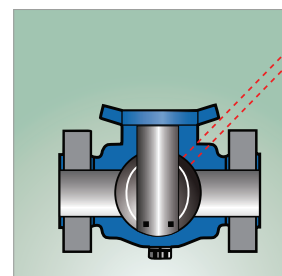
**Step 1**  
**Open Position.**  
Through conduit flow - pig stop in valve cavity arrests pig. Flow goes around pig.



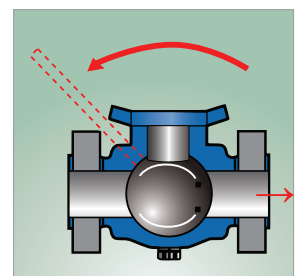
**Step 2**  
**Closed Position.**  
Upstream and downstream is sealed off. Vent body cavity pressure.



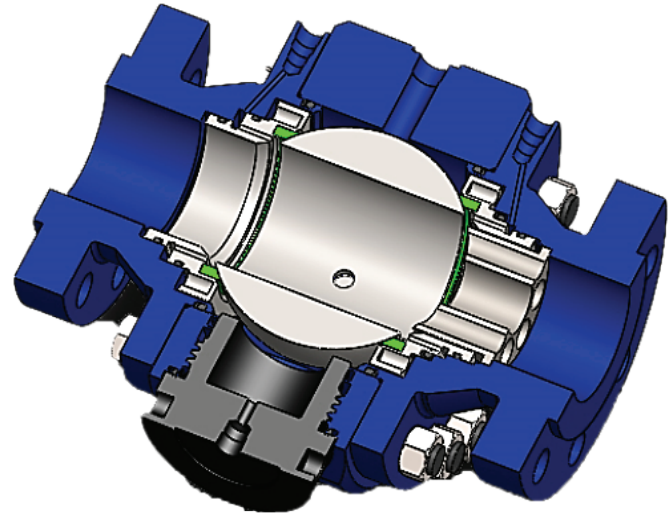
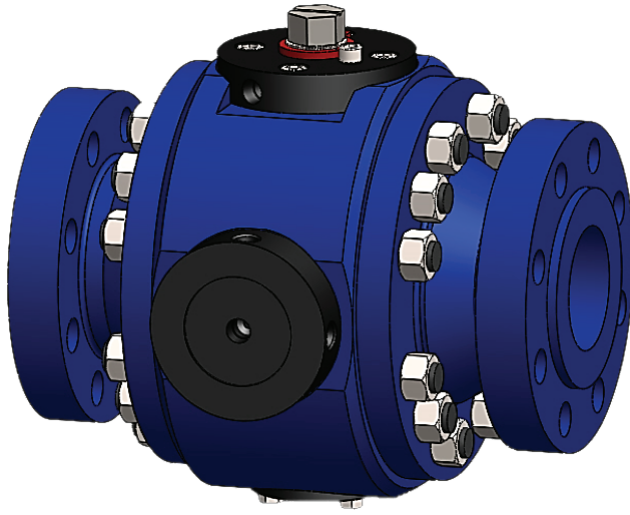
**Step 3**  
Remove side entry cap. Remove pig from valve cavity.



**Step 4**  
Screw side entry cap into place. Close vent valve.



**Step 5**  
**Open valve.**  
Flow brings the next pig along to be trapped.



# SAFE, EFFICIENT, & EFFECTIVE

[www.kingsenergy.com](http://www.kingsenergy.com)

1-866-660-KING

[info@kingsenergy.com](mailto:info@kingsenergy.com)

## PIGGING VALVE DIMENSIONS

### 6" 600 SERIES AND UNDER

2" PIG VALVE	OVERALL LENGTH (OAL)				A		B		C		VALVE BORE		BALL CORE ID		ENTRY PLUG		PIG LENGTH	
	RF		RTJ															
ANSI	in	(mm)	in	(mm)	in	(mm)	in	(mm)	in	(mm)	in	(mm)	in	(mm)	in	(mm)	in	(mm)
150	11.50	292	11.88	302	5.62	143	4.00	102	4.00	102	2.06	52	2.50	64	2.56	65	4.5	114.3
300/600*	14.25	362	14.62	371	5.62	143	4.00	102	4.00	102	2.06	52	2.50	64	2.56	65	4.5	114.3
900	14.50	368	14.62	371	5.62	143	4.00	102	4.00	102	2.06	52	2.50	64	2.56	65	4.5	114.3

3" PIG VALVE	OVERALL LENGTH				A		B		C		VALVE BORE		BALL CORE ID		ENTRY PLUG		PIG LENGTH	
	RF		RTJ															
ANSI	in	(mm)	in	(mm)	in	(mm)	in	(mm)	in	(mm)	in	(mm)	in	(mm)	in	(mm)	in	(mm)
150*	12.75	324	13.12	333	6.38	162	6.63	168	5.44	138	3.12	79	3.56	90	3.59	91	5.75	146.05
300*/600	14.00	356	14.12	359	6.38	162	6.63	168	5.44	138	3.12	79	3.56	90	3.59	91	5.75	146.05
900	15.00	381	15.12	384	6.38	162	6.63	168	5.44	138	3.12	79	3.56	90	3.59	91	5.75	146.05

4" PIG VALVE	OVERALL LENGTH				A		B		C		VALVE BORE		BALL CORE ID		ENTRY PLUG		PIG LENGTH	
	RF		RTJ															
ANSI	in	(mm)	in	(mm)	in	(mm)	in	(mm)	in	(mm)	in	(mm)	in	(mm)	in	(mm)	in	(mm)
150*	15.50	394	16.00	406	8.13	207	8.5	216	7.00	178	4.12	105	4.56	116	4.59	117	7.5	190.5
300*	16.00	406	16.50	419	8.13	207	8.5	216	7.00	178	4.12	105	4.56	116	4.59	117	7.5	190.5
600	17.00	432	17.12	435	8.13	207	8.5	216	7.00	178	4.12	105	4.56	116	4.59	117	7.5	190.5
900	18.00	457	18.12	460	8.13	207	8.5	216	7.00	178	4.12	105	4.56	116	4.59	117	7.5	190.5

6" PIG VALVE	OVERALL LENGTH				A		B		C		VALVE BORE		BALL CORE ID		ENTRY PLUG		PIG LENGTH	
	RF		RTJ															
ANSI	in	(mm)	in	(mm)	in	(mm)	in	(mm)	in	(mm)	in	(mm)	in	(mm)	in	(mm)	in	(mm)
150*	18.00	457	18.38	467	11.63	295	12.63	321	10.5	267	6.12	155	6.75	171	6.72	171	10.5	266.7
300*	18.88	480	19.38	492	11.63	295	12.63	321	10.5	267	6.12	155	6.75	171	6.72	171	10.5	266.7
600	22.00	559	22.12	562	11.63	295	12.63	321	10.5	267	6.12	155	6.75	171	6.72	171	10.5	266.7